

# YMOCA-ASR-01

Bluetooth controllable 2ch 0-10V controller

# CASAMBI

www.casambi.com

## Description

ASR-01 is a Bluetooth controllable, Casambi enabled two channel 0-10V controller for dimmable LED loads and luminaires. It is powered by an external 12-24 VDC Class 2 power supply.

ASR-01 can control two channels making it an ideal partner for tunable white (TW) applications. The two channels can be configured also to operate individually. The device also has a control port for an external relay and a sensor input.

ASR-01 is an ideal partner for power packs with line voltage relays. ASR-01 is protected against overvoltage, overcurrent and short circuit situations.

CBU-PWM4 can be controlled with Casambi app which can be downloaded free of charge from Apple App Store and Google Play Store.

Different Casambi enabled products can be used from a simple one luminaire direct control to a complete and full featured light control system where up to 127 units form automatically an intelligent mesh network.

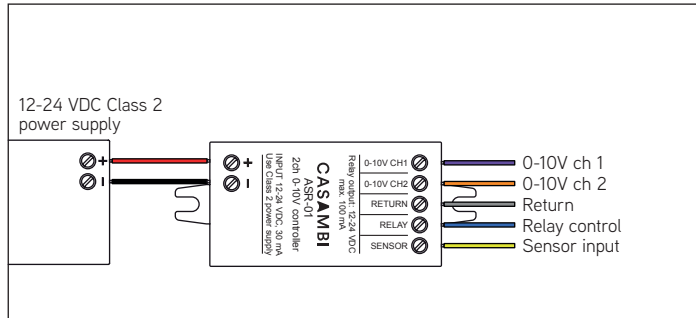


Compatible devices:

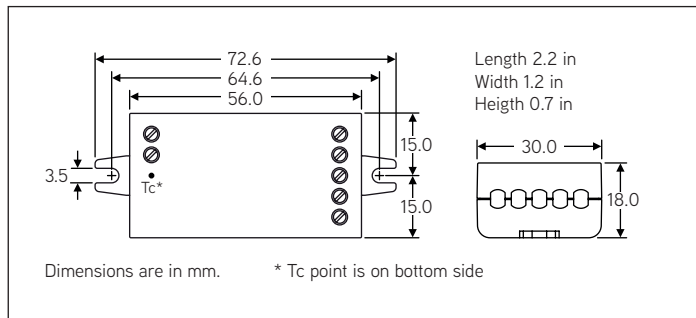
iPhone 4S or later  
iPad 3 or later  
iPod Touch 5th gen or later

Android 4.4 or later devices produced after 2013 with full BT 4.0 support

## Wiring diagram



## Dimensions



## Technical data

### Input

Voltage range: 12-24 VDC, Class 2  
No-load input current: 30 mA

### 0-10V output (2 channels)

Output voltage: 0-10 VDC, adjustable  
Max. output current: 5 mA, sinking and sourcing

### Relay control output

Output voltage: 12-24 VDC, same as input  
Max. output current: 100 mA

### Sensor input

Input voltage: Max. 24 VDC  
Input resistance: 81.5 kΩ

### Radio transceiver

Operating frequencies: 2.401-2.483 Ghz  
Maximum output power: typ. +0 dBm, +/-3dBm

### Operating conditions

Ambient temperature, ta: -13...+113°F (-25...+45°C)  
Max. case temperature, tc: +167°F (+75°C)  
Storage temperature: -13...+167°F (-25...+75°C)  
Max. relative humidity: 0...80%, non-cond.

### Connectors

Wire range, solid & stranded: 0.5 - 1.5 mm<sup>2</sup>  
14 - 22 AWG  
Wire strip length: .25" (6 - 7 mm)  
Tightening force: 0.4 Nm / 2.6 Lb-in

### Mechanical data

Dimensions: 2.2 x 1.2 x 0.7 inch  
72.6 x 30.0 x 18.0 mm  
Weight: 0.8 oz (23 g)

### FCC ID:

2ALA3-CBUASR

### IC:

22496-CBUASR

### UL:

UL Listed  
UL Plenum Rated (UL 2043)

# CASAMBI

Lighting control for the Modern World

## Installation

ASR-01 is a UL Listed Open-Type device which means that it will have to be used together with a Class 2 power supply with maximum output power of 100 VA. The product can be installed outside of a junction box. Make sure to comply with National Electric Code in installation and when selecting installation wires.

The products has one return line which is shared between the two 0-10V outputs, relay control output and sensor input.

The two 0-10V outputs can be configured for different functions, such as 2 channel tunable white, or 1-2 jointly and individually dimmable channels. The standard configuration when delivered is 2 channel dimming, but the configuration can be changed by the end user from Casambi App.

ASR-01, as any other Casambi product, should not be placed in a metal enclosure, such as metal junction boxes. Metal will attenuate radio signals which are crucial to the operation of the product. If the product will have to be installed into a junction box, make sure to use a plastic junction box.

## Range

The range between two ASR-01 units or between a ASR-01 and a smart phone can vary a lot depending on obstacles and surrounding material. In open air the range between two ASR-01s can be in excess of 200 ft, but if the unit is encapsulated into a metal structure, the range can be only few feet. Therefore, thorough testing is highly suggested.

Casambi uses mesh network technology so each ASR-01 acts also as a repeater. When testing the network, it is important to test that each unit can be controlled from any point of the network covered area.



# CASAMBI

### RP-Technik GmbH

Herrmann-Staudinger-Straße 10-16  
63110 Rodgau  
www.rp-group.com  
info@rp-group.com

RP-Technik GmbH hereby declares that the product YMOCA-ASR-01 is in compliance with Directive 2014/53/EU. The full text of the EU Declaration of Conformity is available at the following internet address:  
[https://www.rp-group.com/\\_default\\_upload\\_bucket/cbu-asr-doc-2019-02-18.pdf](https://www.rp-group.com/_default_upload_bucket/cbu-asr-doc-2019-02-18.pdf)