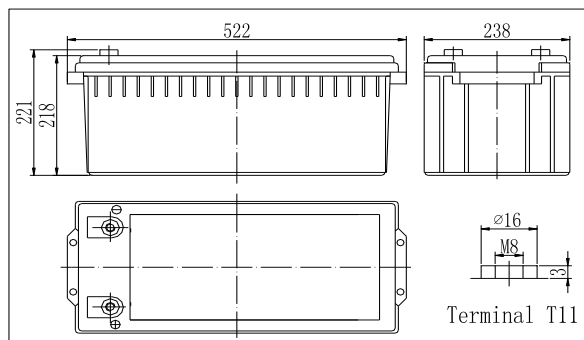


# RPower OGiV122000LPE (12V 200Ah AGM Battery)

Floating Life at 20°C designed for up to 12 years

EAN: 4260349823609

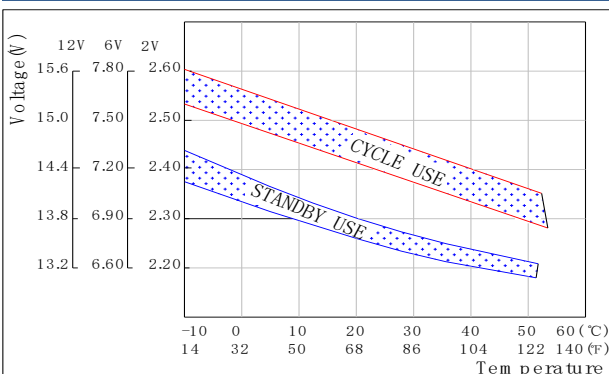
## Dimensions



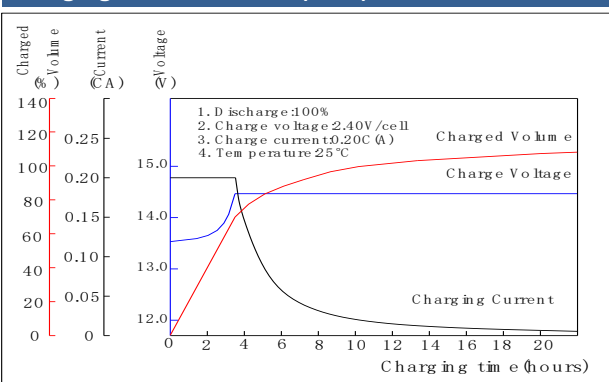
## Specifications

Nominal Voltage		12V
Capacity (10hr@25°C@1.80V/C)		200Ah
Dimensions (±2mm)	Length	522mm (20.6inch)
	Width	238mm (9.37inch)
	Height	218mm (8.58inch)
	Total Height	223mm (8.78inch)
Approx. Weight		59.10kg (130.3lbs)
Maximum charging current		60A
Maximum discharge current		1.000A (5sec.)
Internal resistance		Approx. 4.0mΩ
Capacity affected by temperature (20hr)	40°C	103%
	25°C	100%
	0°C	86%
	-15°C	65%
Self-discharge (25°C)	3 month	Remaining Capacity: 91%
	6 month	Remaining Capacity: 82%
	12 month	Remaining Capacity: 65%
Nominal operating temperature		25°C ±3°C (77°F±5°F)
Operating temperature range		-20°C~55°C (-4°F~131°F)
Float charging voltage (25°C)		13.65 to 13.80V
Cyclic charging voltage (25°C)		14.40 to 15.00V
Terminal material		Copper

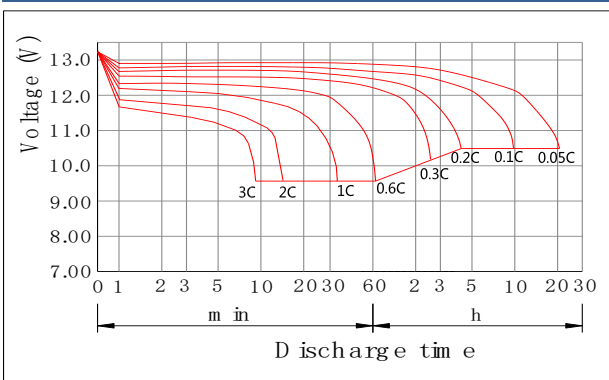
## The Relationship for Charging Voltage and Temperature



## Charging Characteristics (25°C)



## Discharge Characteristics (25°C)



## Constant Current Discharge Characteristics (Ampere / Battery, 25°C)

FV / TIME	5min	10min	15min	20min	30min	45min	1h	2h	3h	4h	5h	6h	8h	10h	20h
10.98V	--	295,85	242,50	212,40	162,96	133,08	113,49	63,50	44,33	39,26	32,88	28,80	22,72	19,40	10,10
10.80V	--	305,00	250,00	218,97	168,00	137,20	117,00	65,46	45,70	40,47	33,90	29,69	23,42	20,00	10,41
10.50V	--	332,00	269,00	254,80	175,00	142,10	120,00	67,91	47,10	41,65	34,70	30,09	23,62	20,40	10,46
10.20V	--	355,00	288,00	265,58	181,00	146,02	123,00	69,87	48,20	42,63	35,40	30,48	23,81	20,70	10,51
9.90V	--	377,00	308,00	275,38	188,00	149,94	126,00	71,25	49,10	43,22	36,20	30,97	24,01	20,90	10,56
9.60V	--	401,00	327,00	284,20	196,00	155,82	129,00	73,70	50,30	44,59	36,90	31,65	24,40	21,10	10,61

## Constant Power Discharge Characteristics (Watt / Battery, 25°C)

FV / TIME	5min	10min	15min	20min	30min	45min	1h	2h	3h	4h	5h	6h	8h	10h	20h
10.98V	--	3282,48	2805,24	2565,59	1856,58	1437,54	1326,96	721,68	537,77	456,86	396,34	333,09	256,09	209,32	113,10
10.80V	--	3384,00	2892,00	2644,94	1914,00	1482,00	1368,00	744,00	554,40	470,99	408,60	343,39	264,01	215,80	116,59
10.50V	--	3564,00	3072,00	2793,00	1992,00	1512,00	1398,00	768,00	560,40	480,98	411,60	348,68	269,30	221,09	117,18
10.20V	--	3786,00	3180,00	2845,92	2082,00	1542,00	1428,00	786,00	568,80	493,33	414,60	354,56	274,01	225,79	117,18
9.90V	--	3996,00	3282,00	2922,36	2160,00	1572,00	1458,00	804,00	576,60	500,39	418,20	359,27	278,71	230,50	117,76
9.60V	--	4200,00	3396,00	3022,32	2244,00	1608,00	1488,00	822,00	584,40	508,62	421,80	365,15	284,59	236,38	118,34