

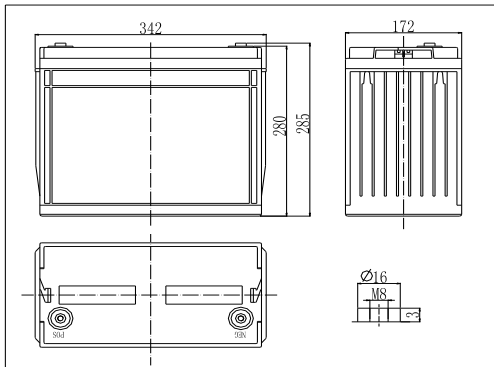
RPower OGiV123900HP (12V 140Ah AGM High-Power-Battery)

with UL94 V-0 Housing

EAN: 4260349823692

Floating Life at 20°C designed for up to 12 years

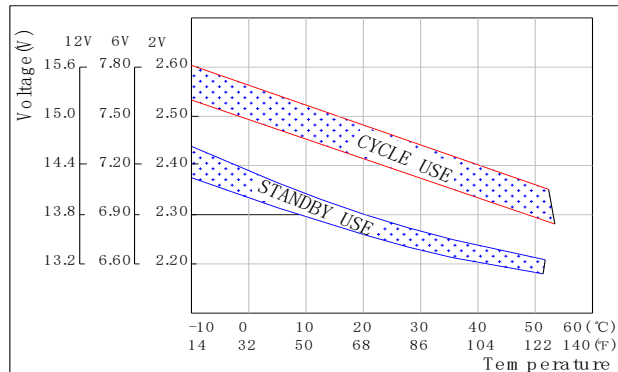
Dimensions



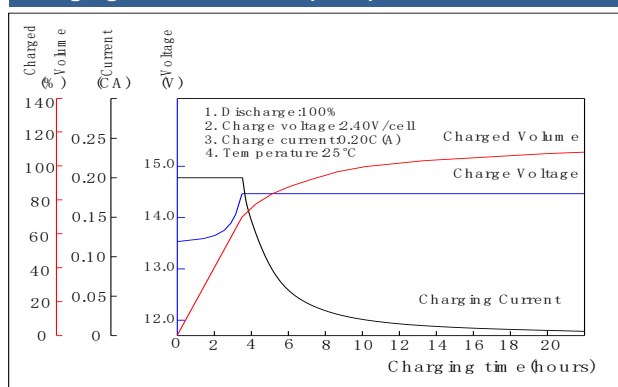
Specifications

Nominal Voltage		12V
Capacity (10hr@25°C@1.80V/C)		140Ah
Dimensions	Length	341mm (13.4inch)
	Width	173mm (6.81inch)
	Height	283mm (11.1inch)
	Total Height	287mm (11.3inch)
Approx. Weight		41.00kg (90.39lbs)
Maximum charging current		42A
Maximum discharge current		950A (5sec.)
Internal resistance		Approx. 3.6mΩ
Capacity affected by temperature (20hr)	40°C	103%
	25°C	100%
	0°C	86%
	-15°C	65%
Self-discharge (25°C)	3 month	Remaining Capacity: 91%
	6 month	Remaining Capacity: 82%
	12 month	Remaining Capacity: 65%
Nominal operating temperature		25°C ±3°C (77°F±5°F)
Operating temperature range		-20°C~55°C (-4°F~131°F)
Float charging voltage (25°C)		13.65 to 13.80V
Cyclic charging voltage (25°C)		14.40 to 15.00V
Terminal material		Copper

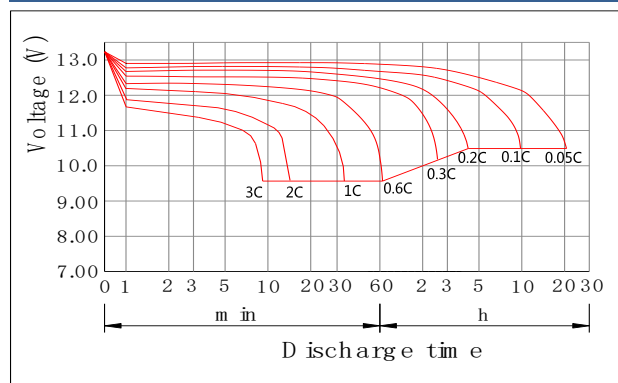
The Relationship for Charging Voltage and Temperature



Charging Characteristics (25°C)



Discharge Characteristics (25°C)



Constant Current Discharge Characteristics (Ampere / Battery, 25°C)

FV / TIME	5min	10min	15min	20min	30min	45min	1h	2h	3h	4h	5h	6h	8h	10h	20h
10.98V	392,04	276,85	227,48	194,57	152,94	109,38	86,73	50,48	38,42	30,36	25,44	22,05	17,69	13,47	7,17
10.80V	405,00	286,00	235,00	201,00	158,00	113,00	89,60	52,24	39,78	31,45	26,34	22,81	18,37	14,00	7,50
10.50V	408,00	298,00	245,00	207,00	164,00	116,00	91,70	53,55	40,81	32,28	27,05	23,48	18,89	14,40	7,76
10.20V	412,00	318,00	259,00	220,00	173,00	119,00	94,00	54,99	41,92	33,18	27,82	24,16	19,46	14,85	7,98
10.02V	429,00	337,00	276,00	232,00	183,00	122,00	96,00	56,26	42,91	33,98	28,51	24,77	19,96	15,25	8,21
9.60V	447,00	355,00	292,00	245,00	193,00	128,00	98,00	57,53	43,90	34,79	29,20	25,38	20,48	15,65	8,47

Constant Power Discharge Characteristics (Watt / Battery, 25°C)

FV / TIME	5min	10min	15min	20min	30min	45min	1h	2h	3h	4h	5h	6h	8h	10h	20h
10.98V	3949,44	3159,55	2642,64	2201,23	1719,17	1266,14	1016,40	571,22	426,74	345,58	295,77	255,12	200,23	158,71	83,31
10.80V	4080,00	3264,00	2730,00	2274,00	1776,00	1308,00	1050,00	591,15	442,05	358,05	306,60	264,60	207,70	164,90	86,95
10.50V	4158,00	3408,00	2838,00	2352,00	1848,00	1356,00	1074,00	605,74	454,30	367,31	314,68	271,72	213,73	169,22	89,53
10.20V	4512,00	3588,00	2946,00	2442,00	1914,00	1398,00	1098,00	620,37	465,55	376,61	322,81	278,79	219,60	175,51	92,89
10.02V	4824,00	3744,00	3240,00	2526,00	1980,00	1446,00	1128,00	638,45	479,40	388,03	332,76	287,64	226,73	182,04	96,49
9.60V	5070,00	3888,00	3384,00	2616,00	2046,00	1488,00	1146,00	649,78	488,20	395,37	339,22	293,38	231,49	187,17	99,07